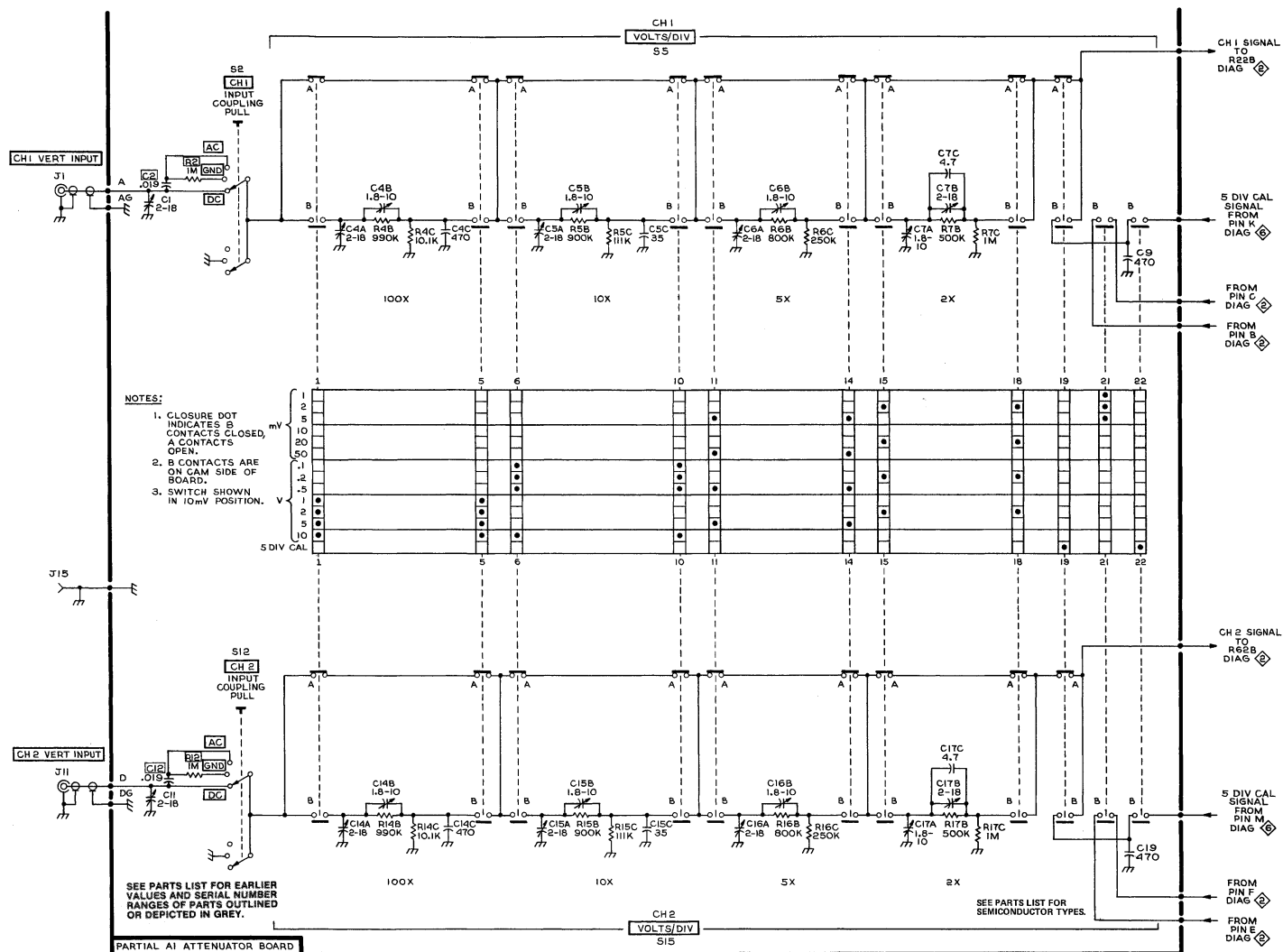
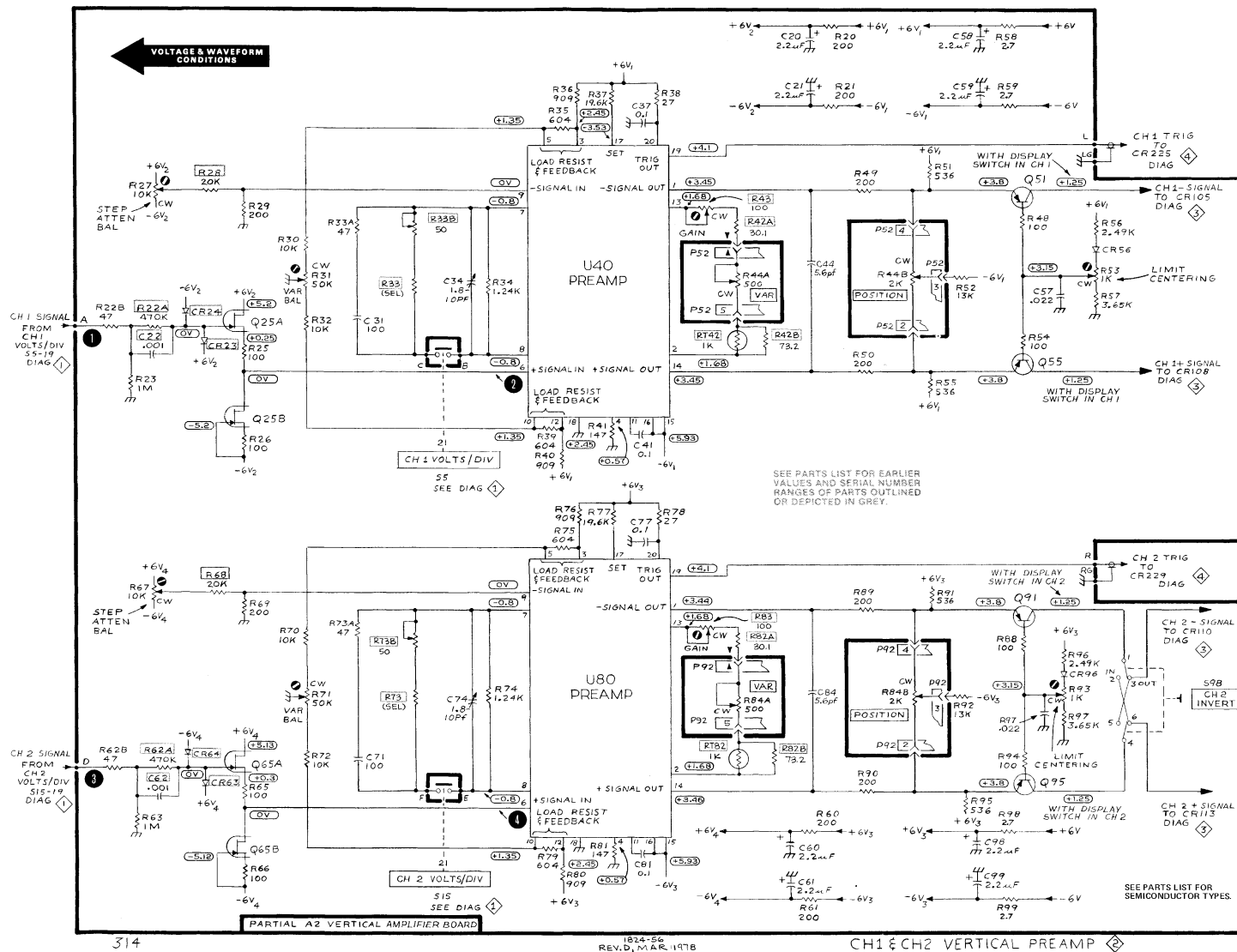
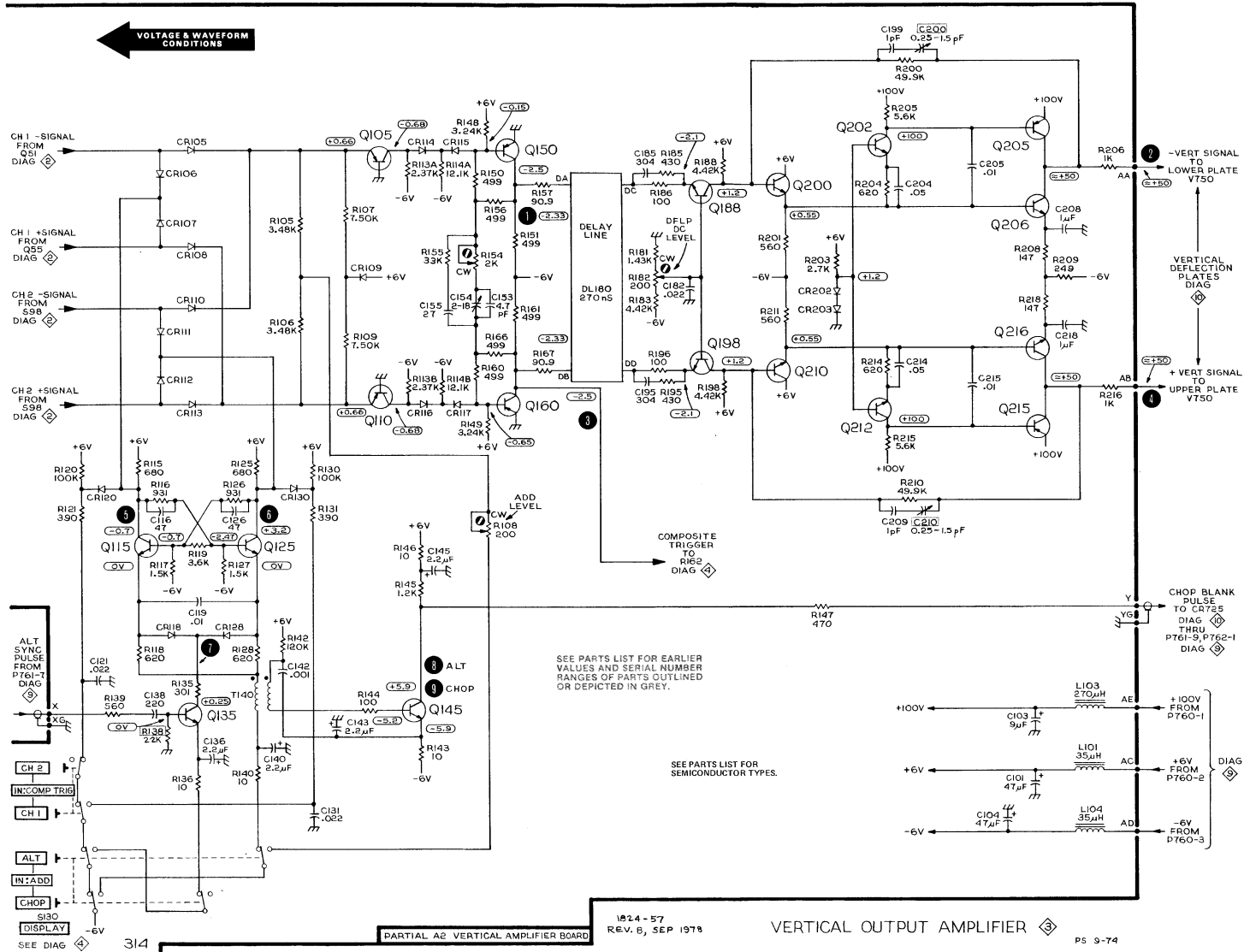
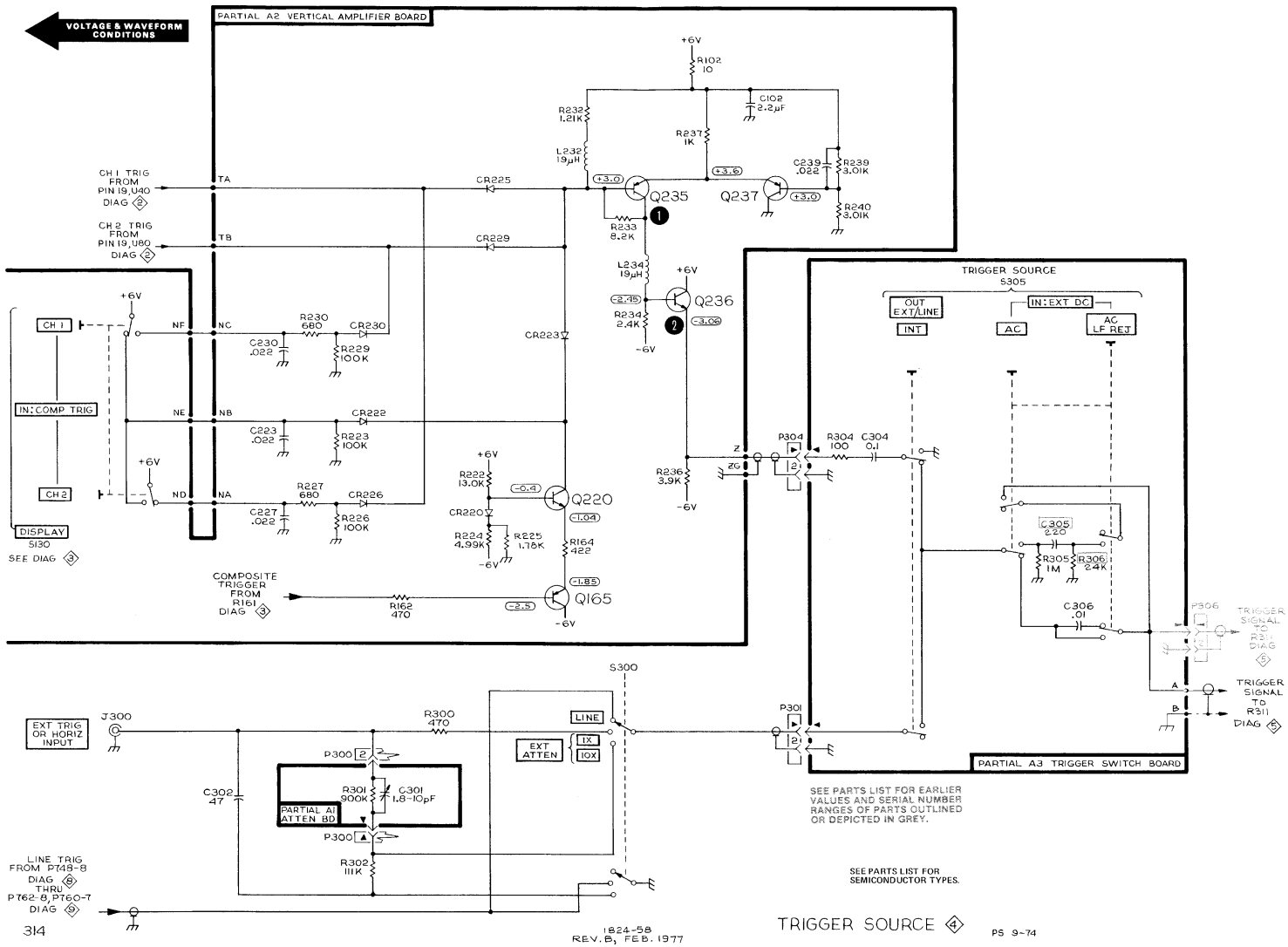


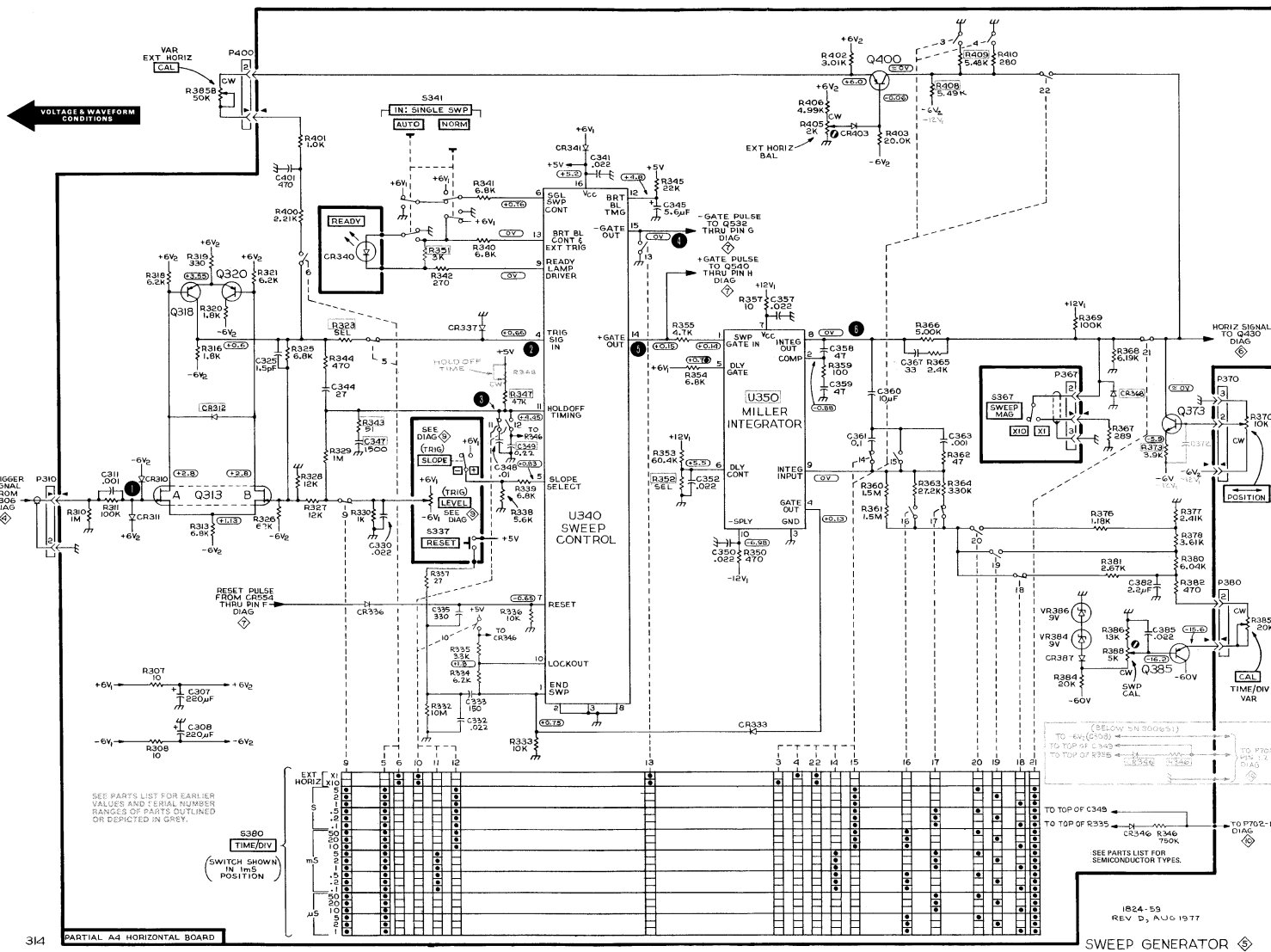
BLOCK DIAGRAM

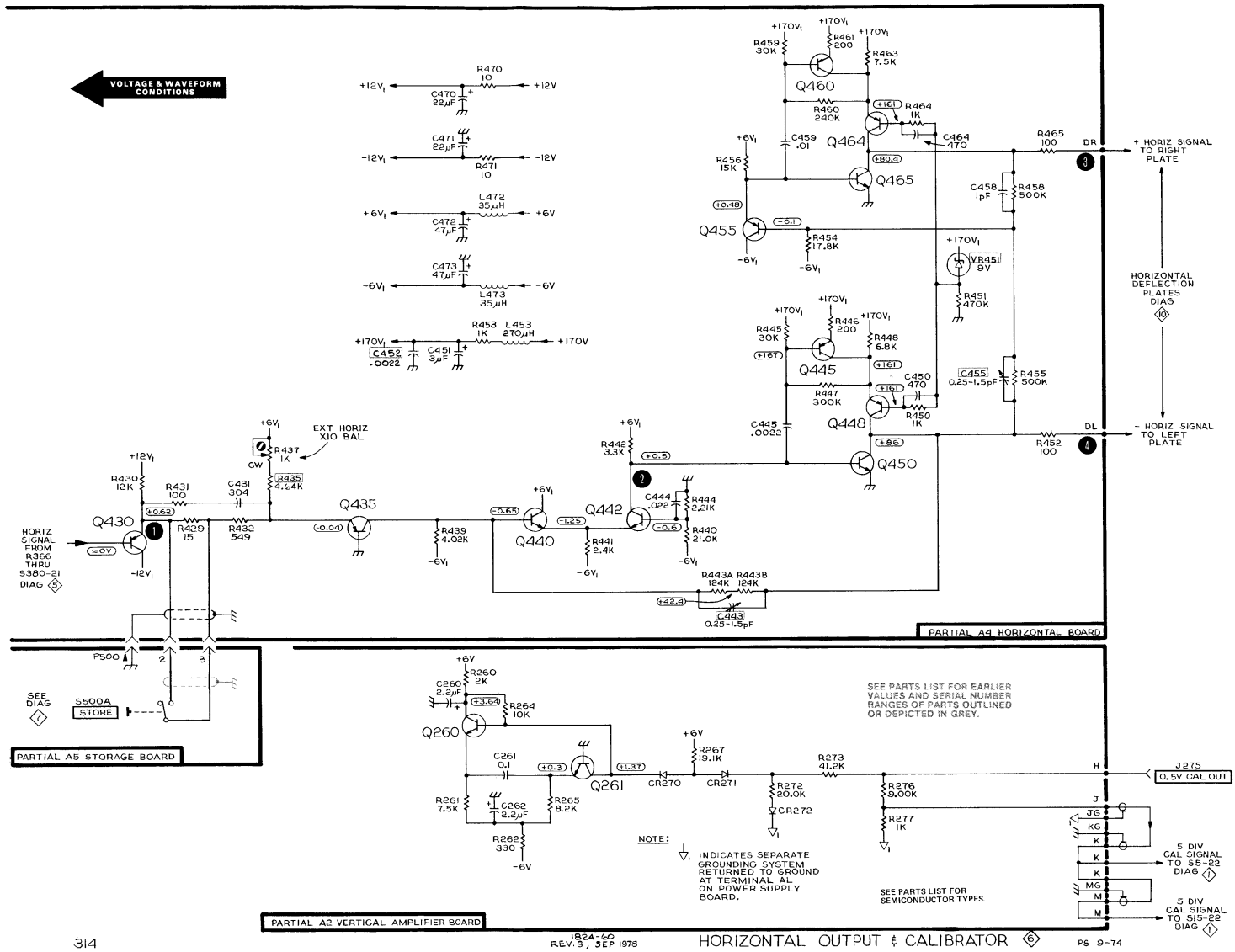


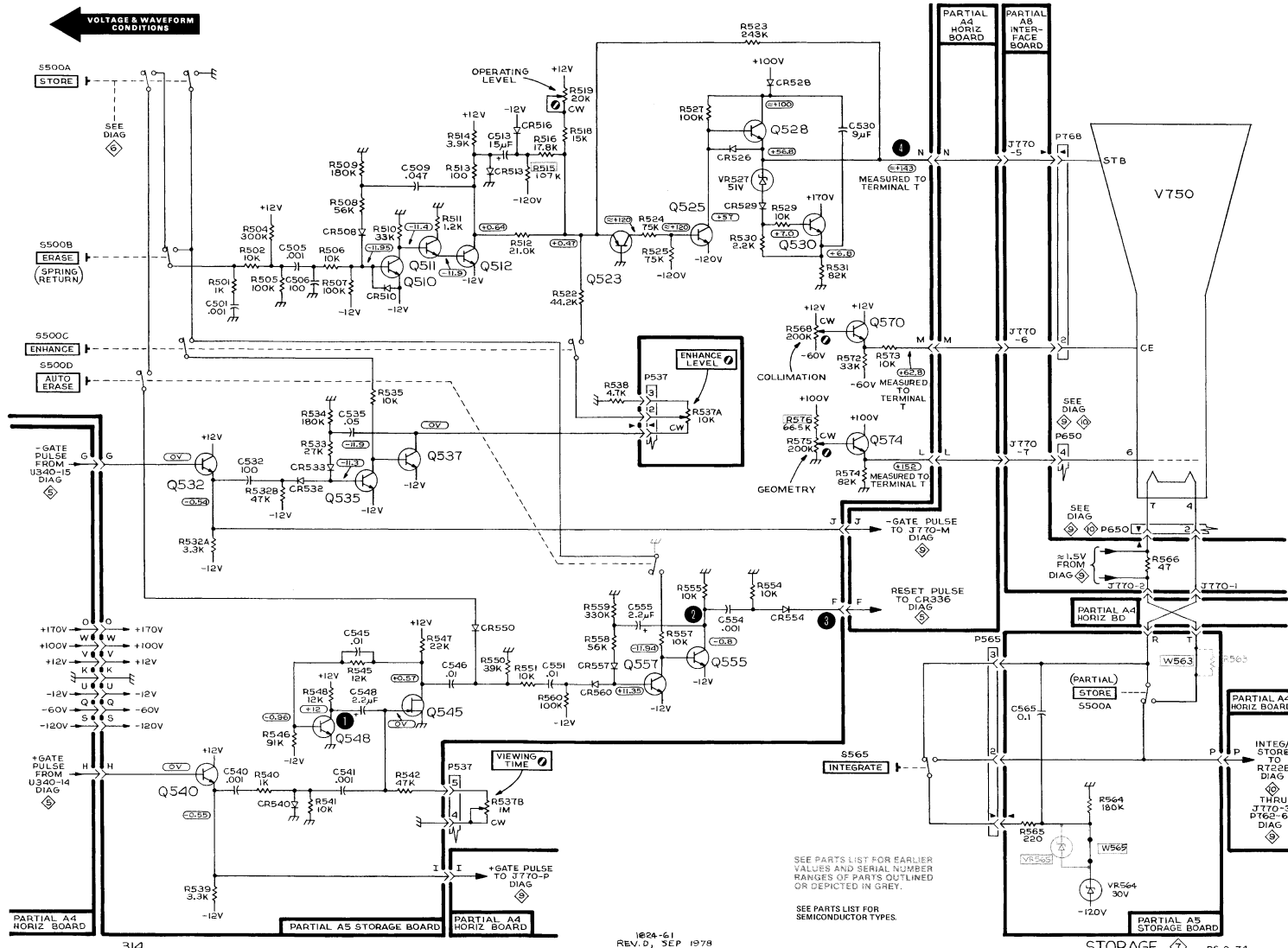










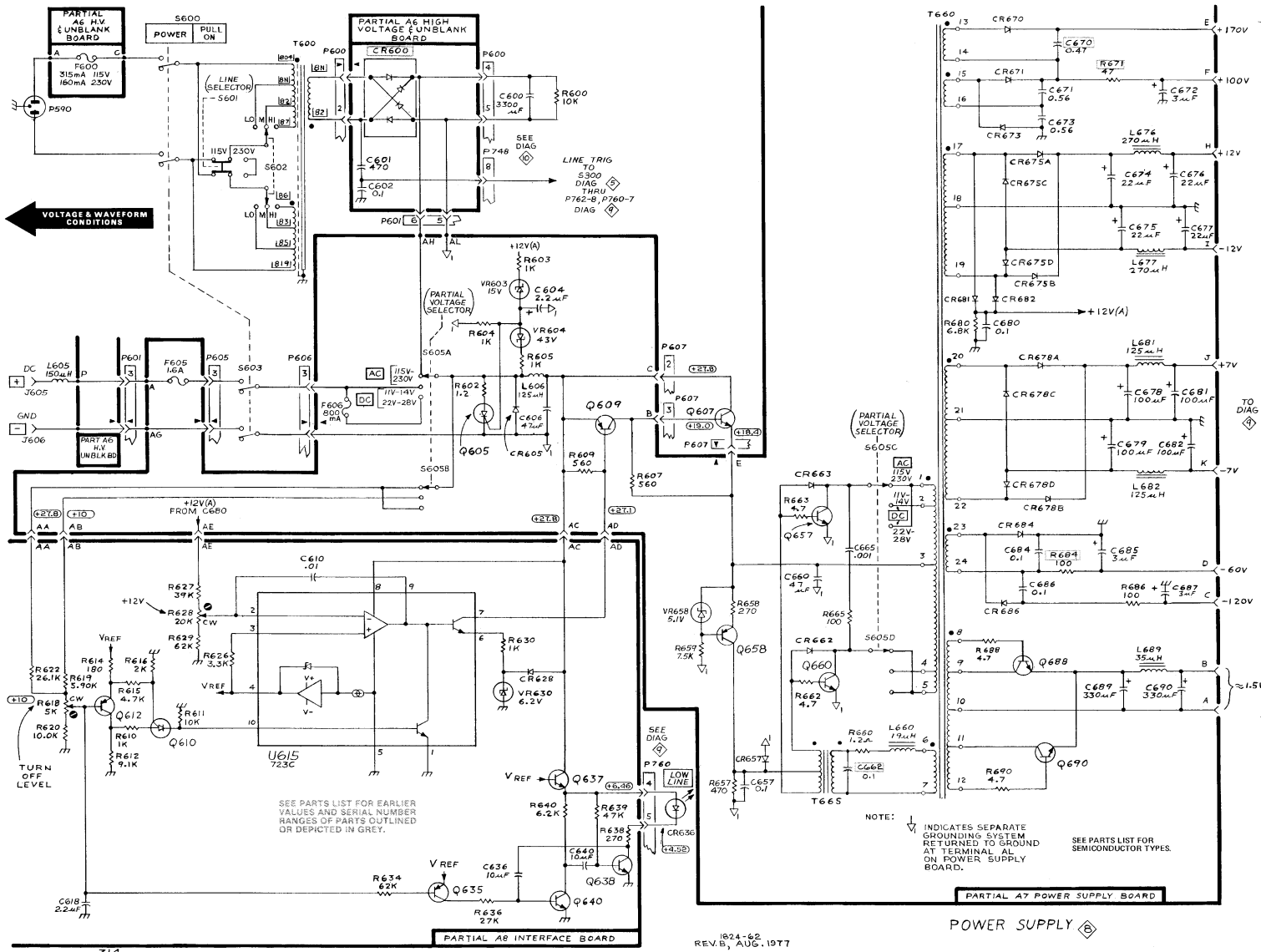


**VOLTAGE & WAVEFORM CONDITIONS**

SEE PARTS LIST FOR EARLIER VALUES AND SERIAL NUMBER RANGES OF PARTS OUTLINED OR DEPICTED IN GREY.

SEE PARTS LIST FOR SEMICONDUCTOR TYPES.





VOLTAGE & WAVEFORM CONDITIONS

SEE PARTS LIST FOR EARLIER VALUES AND SERIAL NUMBER RANGES OF PARTS OUTLINED OR DEPICTED IN GREY.

NOTE:  $\nabla$  INDICATES SEPARATE GROUNDING SYSTEM RETURNED TO GROUND AT TERMINAL AL ON POWER SUPPLY BOARD.

SEE PARTS LIST FOR SEMICONDUCTOR TYPES.

**VOLTAGE & WAVEFORM CONDITIONS**

**PARTIAL A4 HORIZONTAL BOARD**



**PARTIAL AT POWER SUPPLY BOARD**  
**PARTIAL AB INTERFACE BOARD**

